



Puput Wanarti Rusimamto . <puputwanarti@unesa.ac.id>

Submit paper in WTE & TE

Zenon Pudlowski <zenon.pudlowski@wiete.com.au>
To: "Puput Wanarti Rusimamto ." <puputwanarti@unesa.ac.id>

Thu, May 20, 2021 at 3:18 PM

Dear Mr Rusimamto

Thank you very much for your kind message and your willingness to publish an article in the World Transactions on Engineering and Technology Education (WTE&TE). We will be happy to consider your article for inclusion in the WTE&TE, Vol.19, No.3.

Attached, please find a kit for authors. This should assist you in the preparation of your article.

In preparing your article, you should not make any changes to the template, and strictly follow the Instruction for Authors. Please do not use bold faces in the article nor in the figures! The abstract must not exceed 10 lines. Also please note that a single line space must be placed between the paragraphs, figure, captures, equations, formulas, etc. Paragraphs must not be too long. Further, would you please supply us with the original, editable figures, so that we can access them and make necessary corrections if required? We accept figures generated in Ms Word, Excel and Visio. More information can be found at the journal's site:

www.wiete.com.au

Also, please note that submitted articles must be accompanied by the fully filled in and signed Submission Form & Payment Details. However, you do not need to pay the publication fee at this stage. You will be asked to do so, when the article has been refereed positively.

I look forward to receiving your contribution to the WTE&TE journal.

Kindest regards

Zenon J. Pudlowski

[Quoted text hidden]

5 attachments

 **WTE&TE-samplearticle.pdf**
78K

 **WTE&TE-stylefile.doc**
28K

 **WTE&TESubmission&Payment.pdf**
43K

 **Editorial Comments(WT).pdf**
87K

 **WTE&TE-Instruction4authors.pdf**
42K



Puput Wanarti Rusimamto . <puputwanarti@unesa.ac.id>

Submit paper in WTE & TE

Puput Wanarti Rusimamto . <puputwanarti@unesa.ac.id>
To: Zenon Pudlowski <zenon.pudlowski@wiete.com.au>

Fri, May 21, 2021 at 11:01 AM

I hereby submit articles to be published on WTE&TE journal and SUBMISSION FORM & PAYMENT DETAILS. However, I haven't made a payment by transfer. Do I have to pay first, or do I wait for information from you.

Thank you.

Kindest regards

Puput Wanarti Rusimamto

[Quoted text hidden]

2 attachments



WTE&TE-stylefile_Puput Submit.doc
189K



WTE&TESubmission&Payment_Puput.pdf
309K



Puput Wanarti Rusimamto . <puputwanarti@unesa.ac.id>

Submit paper in WTE & TE

Zenon Pudlowski <zenon.pudlowski@wiete.com.au>
To: "Puput Wanarti Rusimamto ." <puputwanarti@unesa.ac.id>

Fri, May 21, 2021 at 3:01 PM

Dear Mr Rusimamto

Unfortunately, you have not formatted the paper as per the WIETE style. The references do not follow the WIETE style. I was surprised that there was no a single reference to the WIETE journals, despite the fact the we have published numerous papers in this area. Also, you have not attached the figure.

So, I strongly recommend again that you read the information sent to you, and respond to the checkpoints accordingly. Otherwise, we will not consider your paper for inclusion in our journal.

Kindest regards,

Zenon J. Pudlowski

From: Puput Wanarti Rusimamto . [mailto:puputwanarti@unesa.ac.id]

Sent: 21 May 2021 14:02

To: Zenon Pudlowski <zenon.pudlowski@wiete.com.au>

[Quoted text hidden]

[Quoted text hidden]



Submit paper in WTE & TE

Puput Wanarti Rusimamto . <puputwanarti@unesa.ac.id>
To: Zenon Pudlowski <zenon.pudlowski@wiete.com.au>

Sun, May 30, 2021 at 8:54 AM

Dear Mr. Pudlowski

I hereby submit an article that I have revised to be published in the journal WTE & TE. Also Submission Form & Payment Details and image files in CDR file and JPG file format.

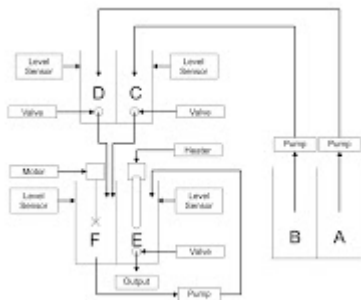
Thank you.

Kindest regards

Puput Wanarti Rusimamto

[Quoted text hidden]

4 attachments



Fluid Mixing Process.jpg
515K

 **WTE&TE-stylefile_Puput Submit_ Revised.doc**
183K

 **WTE&TESubmission&Payment_Puput.pdf**
309K

 **Fluid Mixing Process.cdr**
569K



Puput Wanarti Rusimamto . <puputwanarti@unesa.ac.id>

Submit paper in WTE & TE

Zenon Pudlowski <zenon.pudlowski@wiete.com.au>
To: "Puput Wanarti Rusimamto ." <puputwanarti@unesa.ac.id>

Sun, May 30, 2021 at 9:59 AM

Dear Mr Rusimamto

In my previous message, I wrote:

Further, would you please supply us with the original, editable figures, so that we can access them and make necessary corrections if required? We accept figures generated in Ms Word, Excel and Visio.

And, you send a screen capture! How can we edit it?

In writing the names of the authors you have to follow the WIETE style: Given name, Middle initial, Surname. We will not accept names like this: I G.P. Asto Buditjahjanto! Also, you have to use English names of your institutions (such as used in Wikipedia), as the journal is for English speaking people.

[Quoted text hidden]



Puput Wanarti Rusimamto . <puputwanarti@unesa.ac.id>

Submit paper in WTE & TE

Puput Wanarti Rusimamto . <puputwanarti@unesa.ac.id>
To: Zenon Pudlowski <zenon.pudlowski@wiete.com.au>

Sun, May 30, 2021 at 3:51 PM

Dear Mr. Pudlowski

Sorry, I already revised my figure. I have redrawn via Excel as attached. And I've also revised the name of the author and its affiliates according to your suggestions.

Thank you.

[Quoted text hidden]

2 attachments

 **WTE&TE-stylefile_Puput Submit_Revised2.doc**
181K

 **P&ID PROCESS_Fluid Mixing.xlsx**
19K



Puput Wanarti Rusimamto . <puputwanarti@unesa.ac.id>

WTE&TE, Vol.19, No.3 - Article acceptance

Zenon Pudlowski <zenon.pudlowski@wiete.com.au>
To: "Puput Wanarti Rusimamto ." <puputwanarti@unesa.ac.id>

Sat, Jul 10, 2021 at 4:53 PM

Dear Mr Rusimamto

I wish to advise you that the article tentatively entitled (subject to editorial change): *Assessment of creative thinking skills in PLC programming competencies in electrical engineering students*, co-authored by Puput W. Rusimamto, Munoto, Muchlas Samani, I G. Buditjahjanto, Ekohariadi, Luthfiah Nurlaela & Mohammad Nuh, has now been refereed positively by three independent international referees and, as such, has been accepted for inclusion in the WTE&TE, Vol.19, No.3.

In order for us to commence processing of the article, you should now pay the article publication fee as per the Submission Form & Payment Details at your earliest convenience.

Kindest regards

Zenon J. Pudlowski



Puput Wanarti Rusimamto . <puputwanarti@unesa.ac.id>

WTE&TE, Vol.19, No.3 - Article acceptance

Puput Wanarti Rusimamto . <puputwanarti@unesa.ac.id>
To: Zenon Pudlowski <zenon.pudlowski@wiete.com.au>

Mon, Jul 12, 2021 at 1:37 PM

Dear Mr. Pudlowski

I hereby send the payment result of the article publication fee of \$A 800. Thank you

Best Regards

Puput Wanarti Rusimamto
[Quoted text hidden]

 **Payment_publication fee_Puput.pdf**
311K



Puput Wanarti Rusimamto . <puputwanarti@unesa.ac.id>

WTE&TE, Vol.19, No.3 - Receipt

Zenon Pudlowski <zenon.pudlowski@wiete.com.au>
To: "Puput Wanarti Rusimamto ." <puputwanarti@unesa.ac.id>

Mon, Jul 12, 2021 at 3:30 PM

Dear Mr Rusimamto

Attached, please find a receipt.

You will hear from us on the proofs of your articles in due course.

Kindest regards

Zenon J. Pudlowski

From: Puput Wanarti Rusimamto . [mailto:puputwanarti@unesa.ac.id]
Sent: 12 July 2021 16:37
To: Zenon Pudlowski <zenon.pudlowski@wiete.com.au>
Subject: Re: WTE&TE, Vol.19, No.3 - Article acceptance

Dear Mr. Pudlowski

I hereby send the payment result of the article publication fee of \$A 800. Thank you

Best Regards

Puput Wanarti Rusimamto

On Sat, Jul 10, 2021 at 10:13 PM Puput Wanarti Rusimamto . <puputwanarti@unesa.ac.id> wrote:

Dear Mr. Pudlowski

Thank you for the information, we will make payments on Monday 12 July 2021 because tomorrow is a holiday.

We will inform you more after making the payment. Thank you.

Best Regards



Puput Wanarti Rusimamto . <puputwanarti@unesa.ac.id>

WTE&TE, Vol.19, No.3 - Proofs of your article

Zenon Pudlowski <zenon.pudlowski@wiete.com.au>
To: "Puput Wanarti Rusimamto ." <puputwanarti@unesa.ac.id>

Thu, Jul 22, 2021 at 11:19 AM

Dear Mr Rusimamto

Attached, please find the proofs of your article corrected and formatted by us in accordance with the WIETE style, language and formatting requirements, to be included in this issue.

Please NOTE that at this stage, only obvious typos or simple mistakes can be corrected. No additions, rewriting or other changes are permitted at this stage.

Your urgent response to this message will be very much appreciated. We need to hear from you by Monday, 26 July 2021 at 5 pm Australian Standard Eastern Time.

Kindest regards

Zenon J. Pudlowski

 WT01-Rusimamto-P-XX.pdf
172K



Puput Wanarti Rusimamto . <puputwanarti@unesa.ac.id>

WTE&TE, Vol.19, No.3

2 messages

Zenon Pudlowski <zenon.pudlowski@wiete.com.au>
To: Zenon Pudlowski <zenon.pudlowski@wiete.com.au>
Cc: Dr Dianne Nguyen <dianne.nguyen@wiete.com.au>, "dorota.pudlowski dorota.pudlowski" <dorota.pudlowski@wiete.com.au>

Sun, Aug 15, 2021 at 12:32 PM

Dear Colleague

I wish to advise you that the WTE&TE, Vol.19, No.3 is now available on the journal's site:

http://www.wiete.com.au/journals/WTE&TE/Pages/TOC_V19N3.html

Kindest regards

Zenon J. Pudlowski

Puput Wanarti Rusimamto . <puputwanarti@unesa.ac.id>
To: Zenon Pudlowski <zenon.pudlowski@wiete.com.au>
Cc: Dr Dianne Nguyen <dianne.nguyen@wiete.com.au>, "dorota.pudlowski dorota.pudlowski" <dorota.pudlowski@wiete.com.au>

Sun, Aug 15, 2021 at 1:17 PM

Dear Mr. Pudlowski,

Thank you for the information.

Best Regards,
Puput Wanarti Rusimamto

[Quoted text hidden]



Puput Wanarti Rusimamto . <puputwanarti@unesa.ac.id>

WTE&TE, Vol.19, No.3

2 messages

Zenon Pudlowski <zenon.pudlowski@wiete.com.au>
To: Zenon Pudlowski <zenon.pudlowski@wiete.com.au>
Cc: Dr Dianne Nguyen <dianne.nguyen@wiete.com.au>, "dorota.pudlowski dorota.pudlowski" <dorota.pudlowski@wiete.com.au>

Sun, Aug 15, 2021 at 12:32 PM

Dear Colleague

I wish to advise you that the WTE&TE, Vol.19, No.3 is now available on the journal's site:

http://www.wiete.com.au/journals/WTE&TE/Pages/TOC_V19N3.html

Kindest regards

Zenon J. Pudlowski

Puput Wanarti Rusimamto . <puputwanarti@unesa.ac.id>
To: Zenon Pudlowski <zenon.pudlowski@wiete.com.au>
Cc: Dr Dianne Nguyen <dianne.nguyen@wiete.com.au>, "dorota.pudlowski dorota.pudlowski" <dorota.pudlowski@wiete.com.au>

Sun, Aug 15, 2021 at 1:17 PM

Dear Mr. Pudlowski,

Thank you for the information.

Best Regards,
Puput Wanarti Rusimamto

[Quoted text hidden]